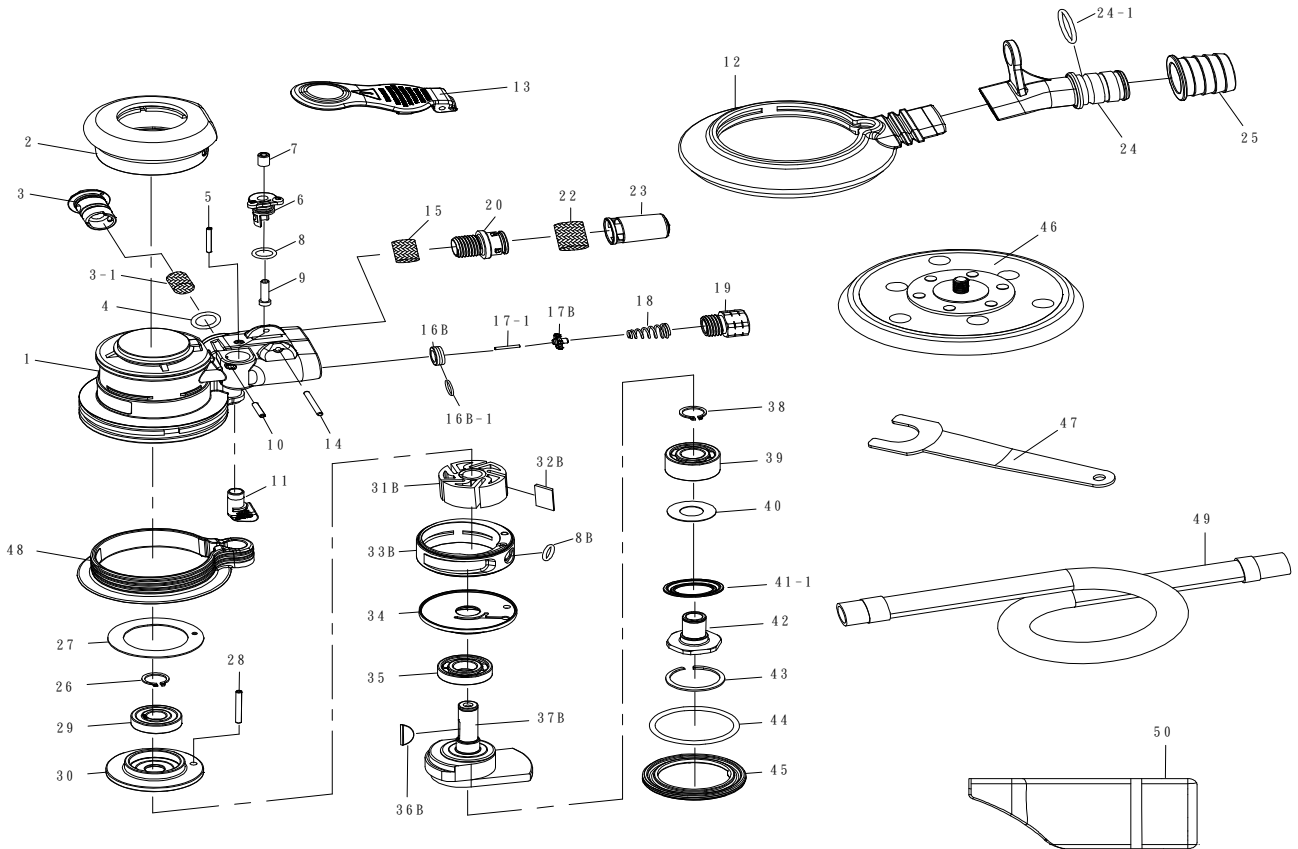


3 IN 1 SUPER DUTY ORBITAL SANDER



KI-6608

INDEX NO.	DESCRIPTION	REQ'D Q'TY	INDEX NO.	DESCRIPTION	REQ'D Q'TY
1	Motor Housing	1	25	Hose Adapter	1
2	Rubber Grip	1	26	Retainer	1
3	Reverse Valve	1	27	Gasket	1
3-1	Muffer Element	1	28	Spring Pin	1
4	O-Ring	1	29	Ball Bearing	1
5	Pin	1	30	Rear End Plate	1
★ 6	Air Regulator Assembly (incl.7)	1	31B	Rotor	1
● 7	Bushing	1	32B	Rotor Blade	5
8	O-Ring	1	33B	Cylinder	1
8B	O-Ring	1	34	Front End Plate	1
9	Valve Plunger	1	35	Ball Bearing	1
10	Spring Pin	1	● 36B	Key	1
11	Suction Tube	1	★ 37B	Crank Shaft Assembly (incl.36B) (5mm)	1
12	Pad Cover	1	38	Retainer	1
13	Trigger	1	39	Ball Bearing	1
14	Spring Pin	1	40	Bearing Seal	1
15	Muffer Element	1	41-1	Washer	1
★ 16B	Throttle Valve Seat Assembly (incl.16B-1)	1	42	Random Shaft	1
● 16B-1	O-Ring	1	43	Retainer	1
★ 17B	Throttle Valve Assembly (incl.17-1)	1	44	O-Ring	1
● 17-1	Throttle Valve Pin	1	45	Lock Ring	1
18	Spring	1	46	6" Sander Pad (Option)	1
19	Air Inlet	1	47	Wrench	1
20	Exhaust Deflector Screw	1	48	Protective Casing	1
22	Muffer Element	2	49	Suction Hose (Option)	1
23	Exhaust Deflector	1	50	Dirt Pocket (Option)	1
24	Vacuum Adapter	1	TK	Tune-Up Kit { 3-1.4.8.15.16B.16B-1.18.22 }	
24-1	O-Ring	1			

★ Must be Purchased in Assembly Set

● Recommended not to be purchased alone due to assembly difficulty

PA2-06601-4!0090427R1