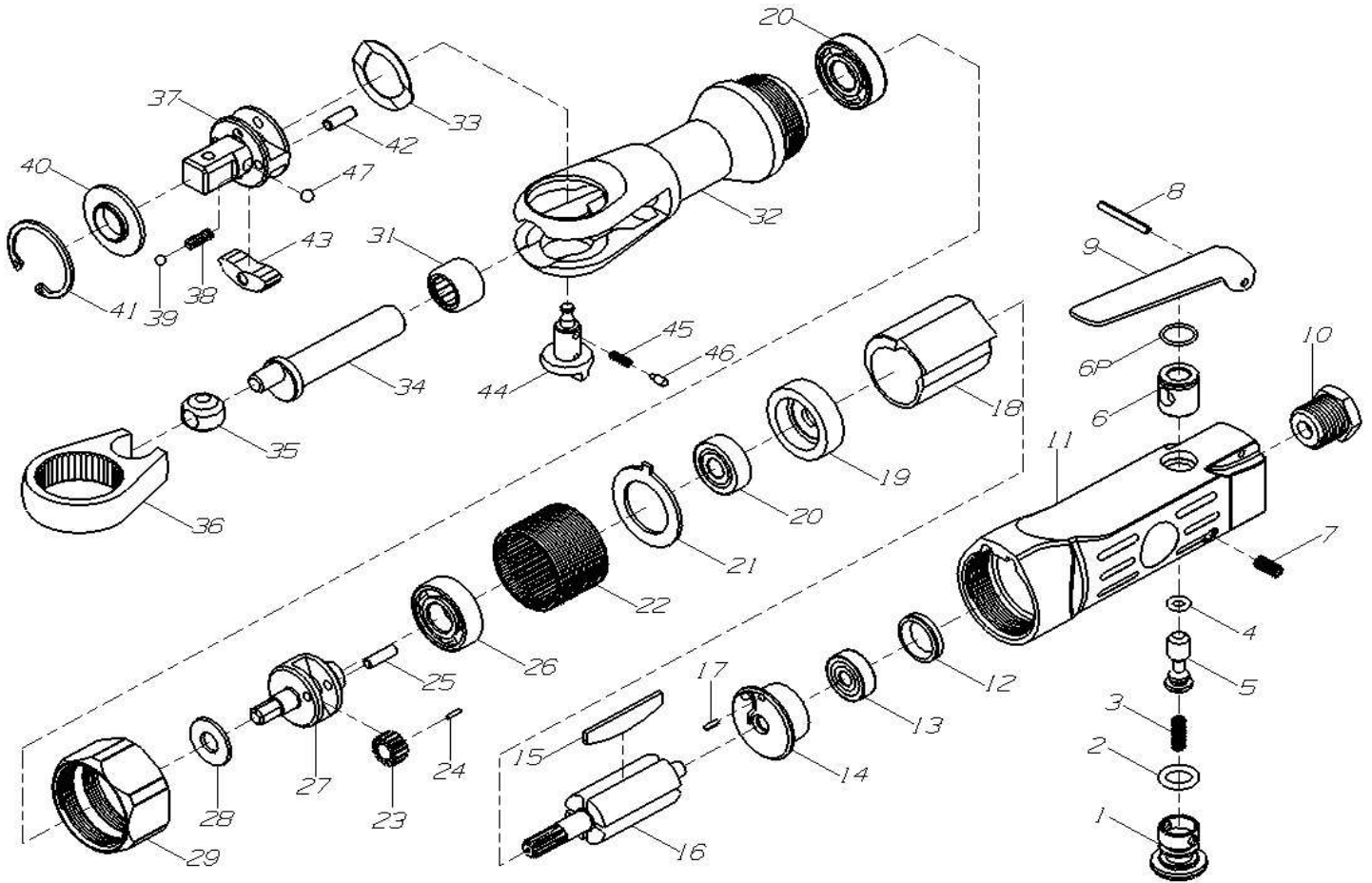


# HEAVY DUTY RATCHET WRENCH



KI-351 / KI-451

INDEX NO.	DESCRIPTION	REQ'D Q'TY	INDEX NO.	DESCRIPTION	REQ'D Q'TY
01	Regulator	1	25	Planet Pin	2
02	O-Ring	1	26	Ball Bearing	1
03	Valve Spring	1	27	Planet Cage	1
04	O-Ring	1	28	Washer	1
05	Valve Stem	1	29	Clamp Nut	1
06	Valve Bushing	1	31	Needle Bearing	1
06P	O-Ring	1	32	Ratchet Housing	1
07	Screw	1	33	Washer	1
08	Lever Pin	1	34	Crank Shaft	1
09	Lever	1	35	Drive Bushing	1
10	Inlet Bushing	1	36	Yoke	1
11	Motor Housing (Incl.6, 6P)	1	37A	3/8" Anvil	1
12	Bearing Cap	1	37C	1/2" Anvil	
13	Ball Bearing	1	38	Spring	2
14	Rear End Plate	1	39	Steel Ball	2
15	Rotor Blade	4	40A	3/8" Thrust Washer	1
16	Rotor	1	40B	1/2" Thrust Washer	
17	Pin	1	41	Retaining Ring	1
18	Cylinder	1	42	Dowel Pin	1
19	Front End Plate	1	43	Pawl	1
20	Ball Bearing	2	44A	Reverse Button	1
21	Washer	1	45	Spring	1
22	Internal Gear	1	46	Lock Pin	1
23	Gear (Incl.24)	2	47A	Steel Ball (For 3/8")	1
24	Needle Roller	22	47B	Steel Ball (For 1/2")	

2005.07.01  
2004.12.23 2006.01.26